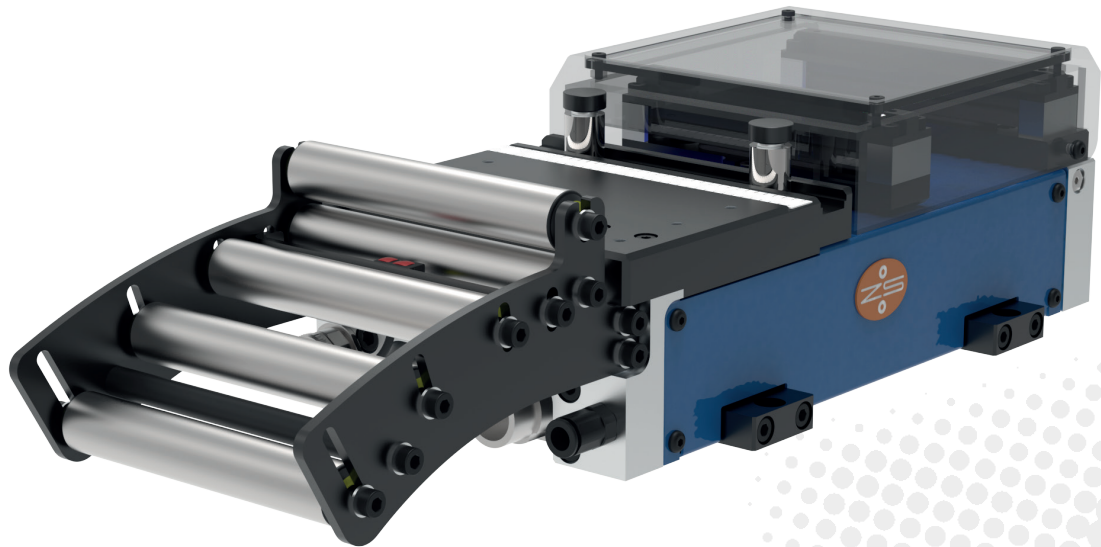


ELECTRICAL GRIPPER FEED EZL 100-085

Models: EZL 100-085



FAST PRODUCTION

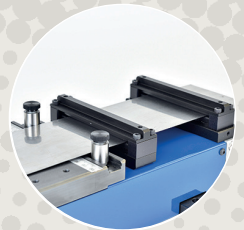
- Highly dynamic linear motor
- Up to 1000 strokes/min
- Powerful control for maximum accuracy

PRECISE FEEDING

- Precision linear technology with repeat accuracy 0.01 mm
- Clamp jaws of different materials and coatings
- Programmable curves and feed lengths

VERSATILE USE

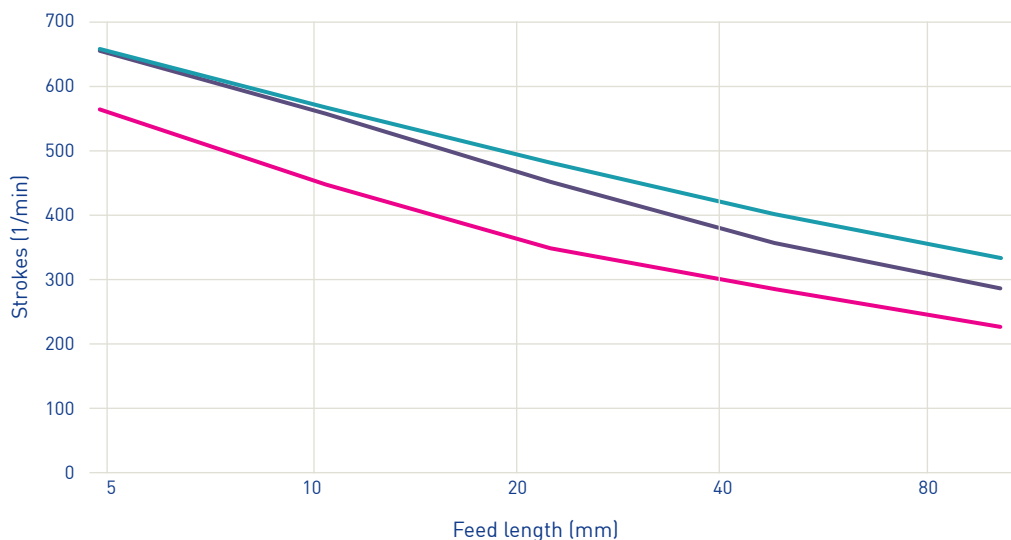
- Strip, wires, double wires
- Integrate, retrofit or synchronize with any press
- Meets the highest safety standards at a safe speed



ELECTRICAL GRIPPER FEED EZL 100-085



PERFORMANCE



FEED ANGLE

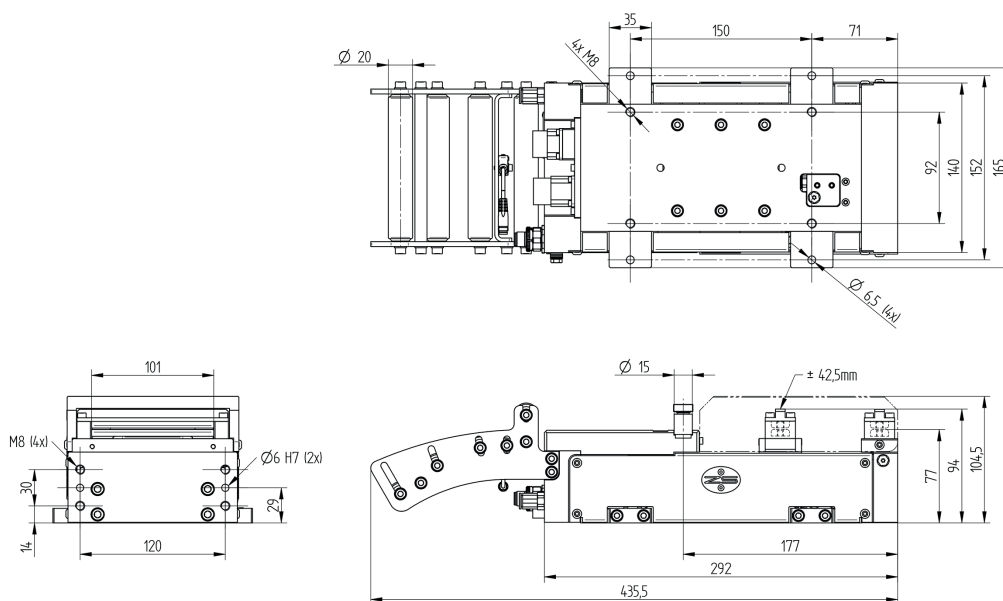
180°

120°

90°

Performance curve exemplary.
EZL 100
Specific calculations on request.

TECHNICAL SPECIFICATIONS



MODEL	EZL 100-085
Bandwidth max. (mm)	100
Feed length	0-85 mm
Clamp opening	ca. 1 mm
Accuracy	+/- 0,01 mm
Traction max.*	116 N
Cross section (recommended)	max. 100 mm ²
Clamping force at 6 bar	270 N

SWITZERLAND

Zehnder & Sommer AG
CH-3400 Burgdorf
info@zehndersommer.com
Tel +41 31 800 00 00

GERMANY

Zehnder & Sommer GmbH
DE-58452 Witten
info@zehndersommer.de
Tel +49 2302 981 60 30

zehndersommer.com
ZSswiss.com

*Depending on motor, control and supply.
Ask for a specific configuration and calculation.