

Electronic Clamp Feeder

EZL 050 - 050

(the flexible one)

50 mm² strip cross-section

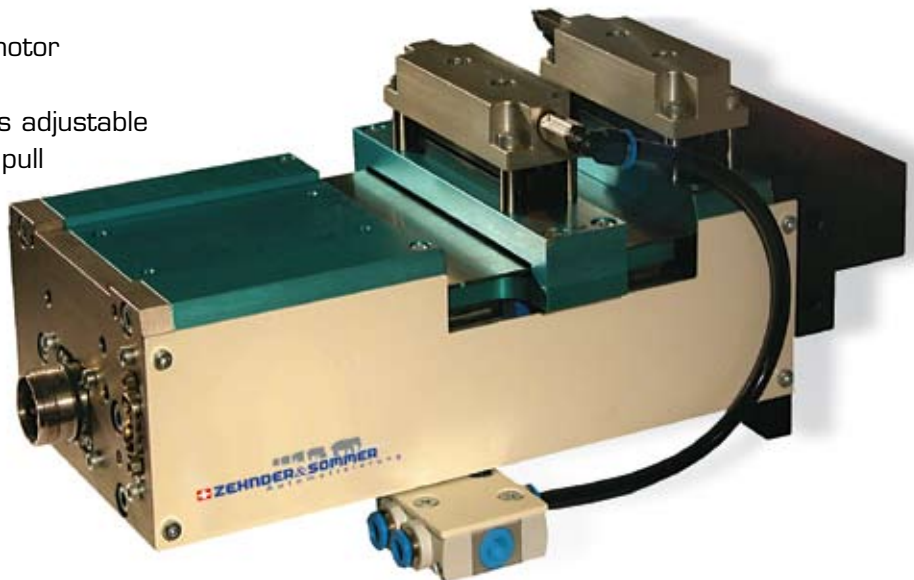
For thin, sensitive and shaped strips

Flattening and longitudinal curvatures are no longer a problem

- Compact design
- Can be retrofitted to any press
- Service friendly
- Highly dynamic drive with linear motor
- Rapid pneumatic pilot release
- Press-on force of the top clamp is adjustable
- Machine can be used to push or pull

Options

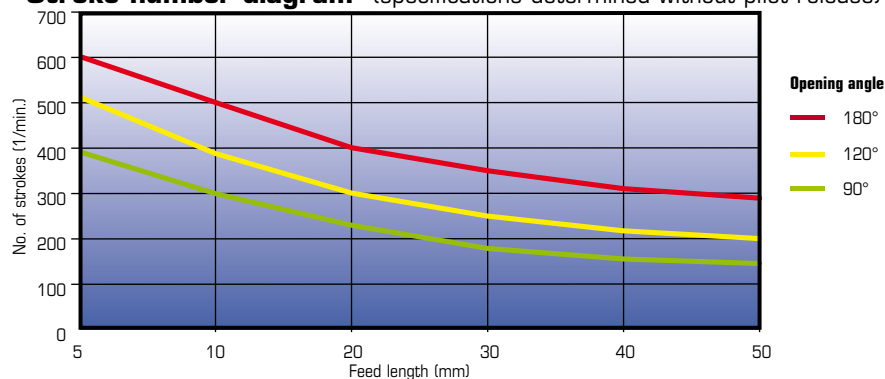
- Shaped clamping jaws
- Dual system (push and pull)
- Colour marking sensor
- Sensor for strip guidance monitoring



Technical data

Model	Strip width	Jaw opening	Feed length	Feed precision	Clamping force	Tractive force
EZL 050-050	max. 50 mm	max. 1,0 mm	max. 50 mm	+/- 0,01 mm	(6 bar) 600 N	51 N

Stroke number diagram (specifications determined without pilot release)



Technical modifications subject to change. Performance data depends on material.

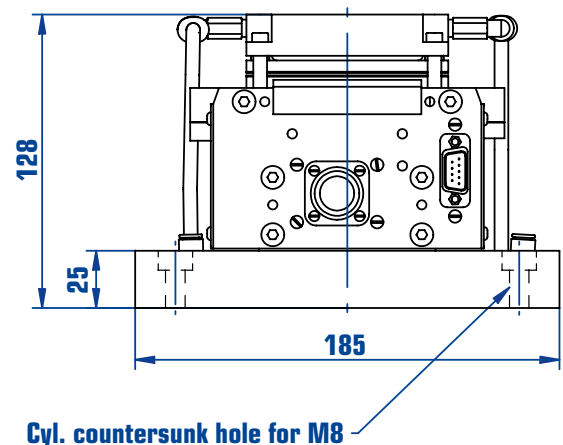
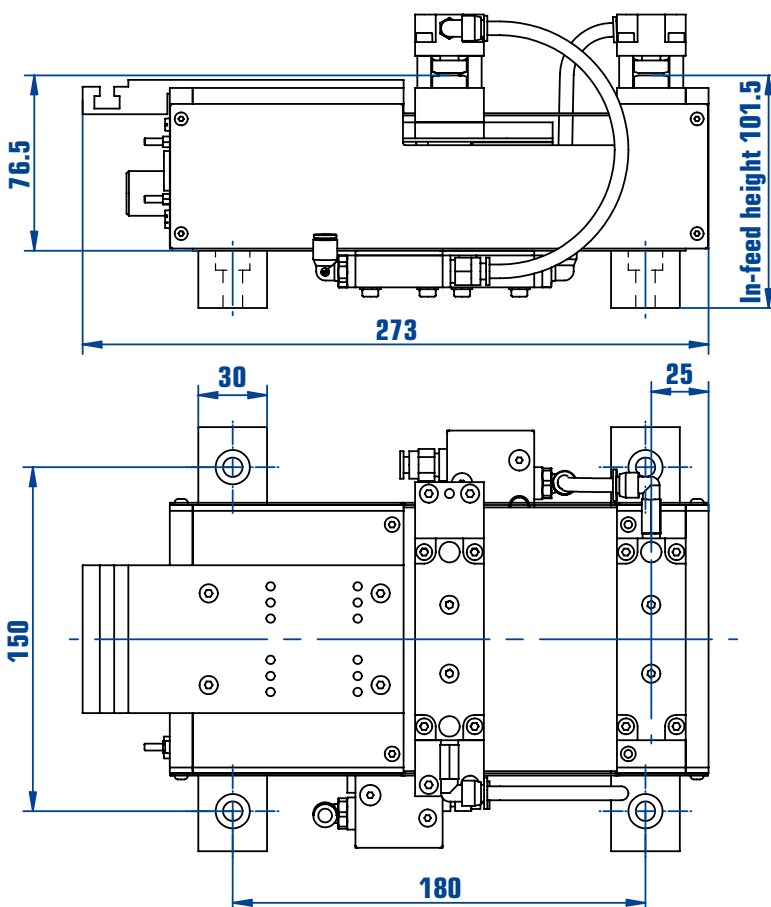
Compact CNC control system for clamp feeders

- Easy coupling and retrofitting on any press
- Same operation for all types of feed
- Extremely easy to program and operate
- Operator panel with LCD display and hotkeys
- Profile speed adjustment based on selected number of strokes
- Up to 99 user programs can be stored in the control system
- Piece, partial quantity and auxiliary counters can be freely programme
- Multiple sections can be programmed
- End of strip monitoring



Options

- Electronic cam shaft with 16 cams (8 dynamic)
- Data linking to superordinate computer via RS-232, Profibus or Ethernet
- PC software for external data maintenance and backup
- Tool protection
- Optoelectronic sensors for finding marks with software



Technical modifications subject to change. Performance data depends on material.